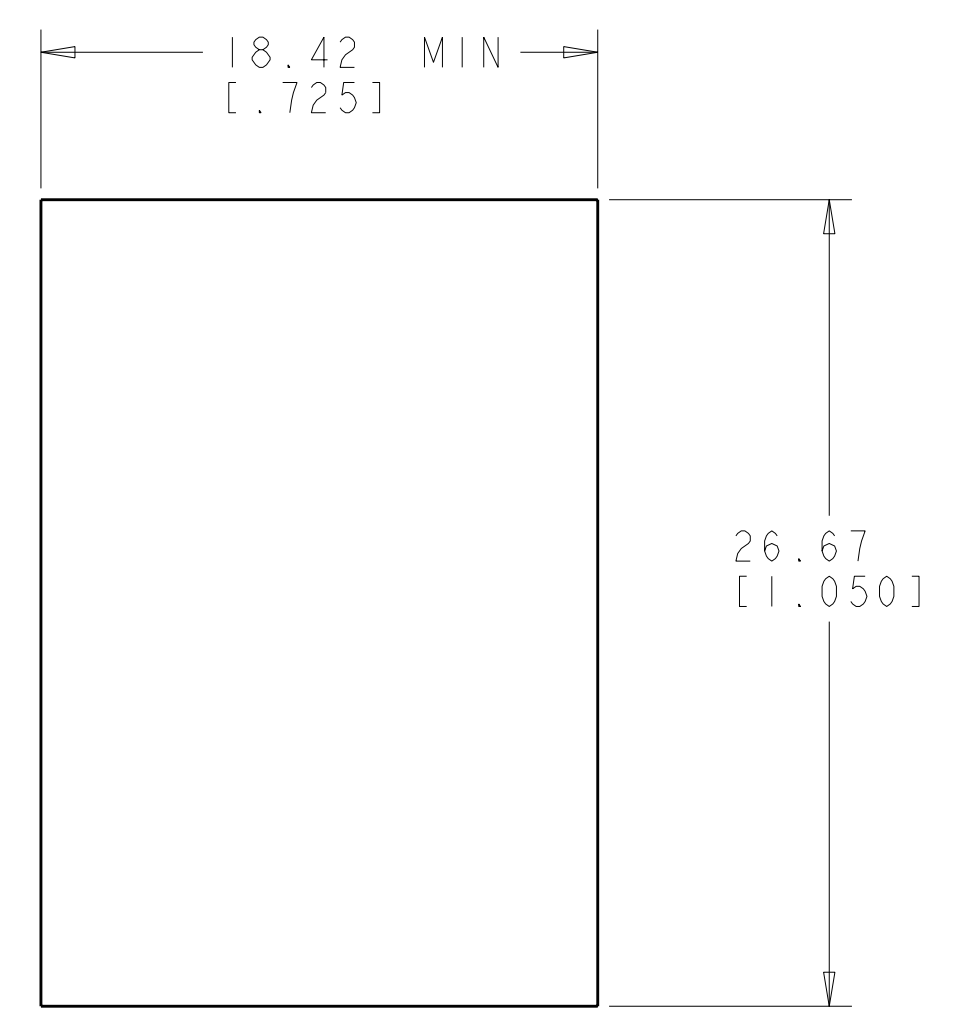
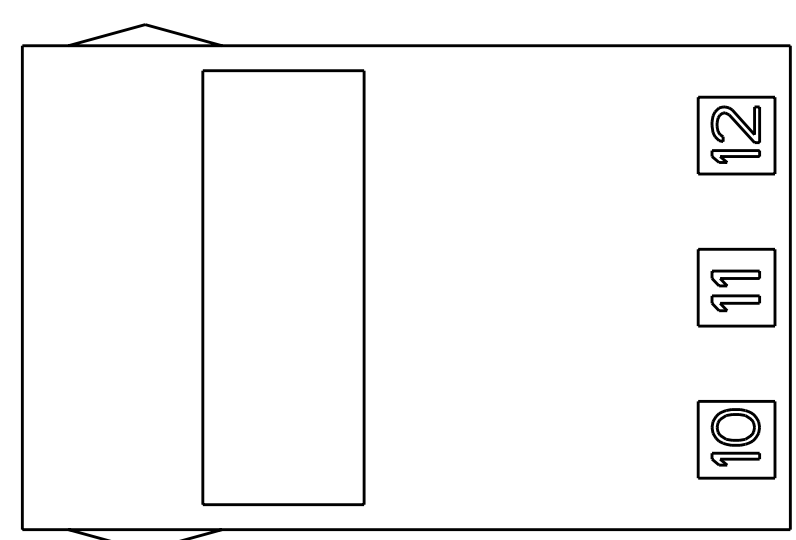
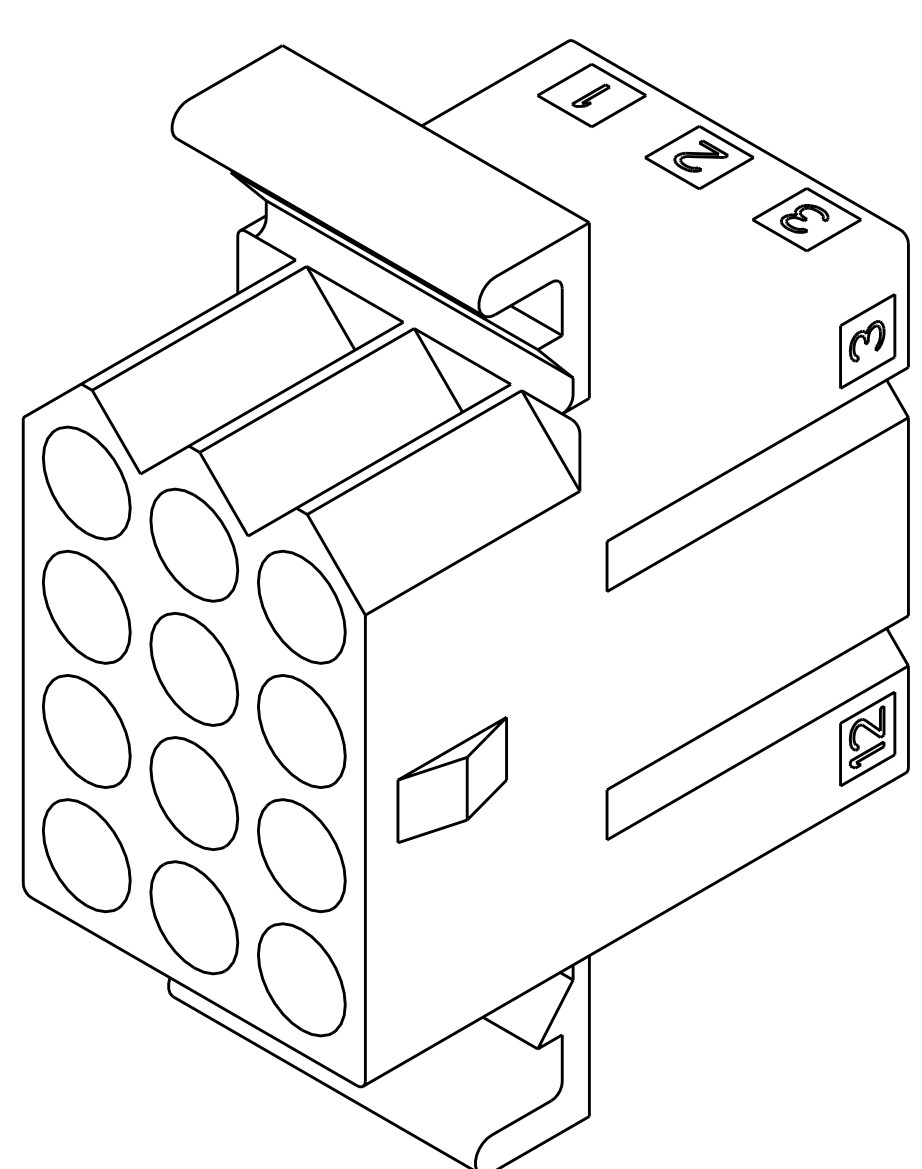
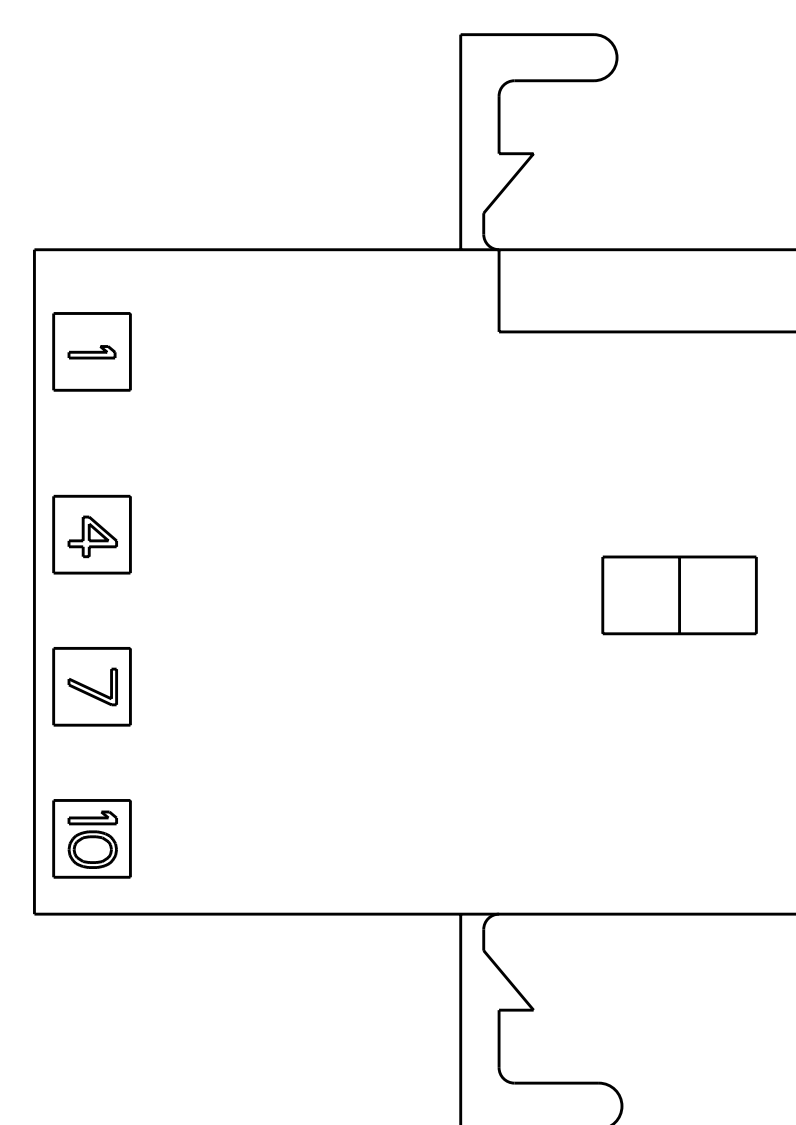
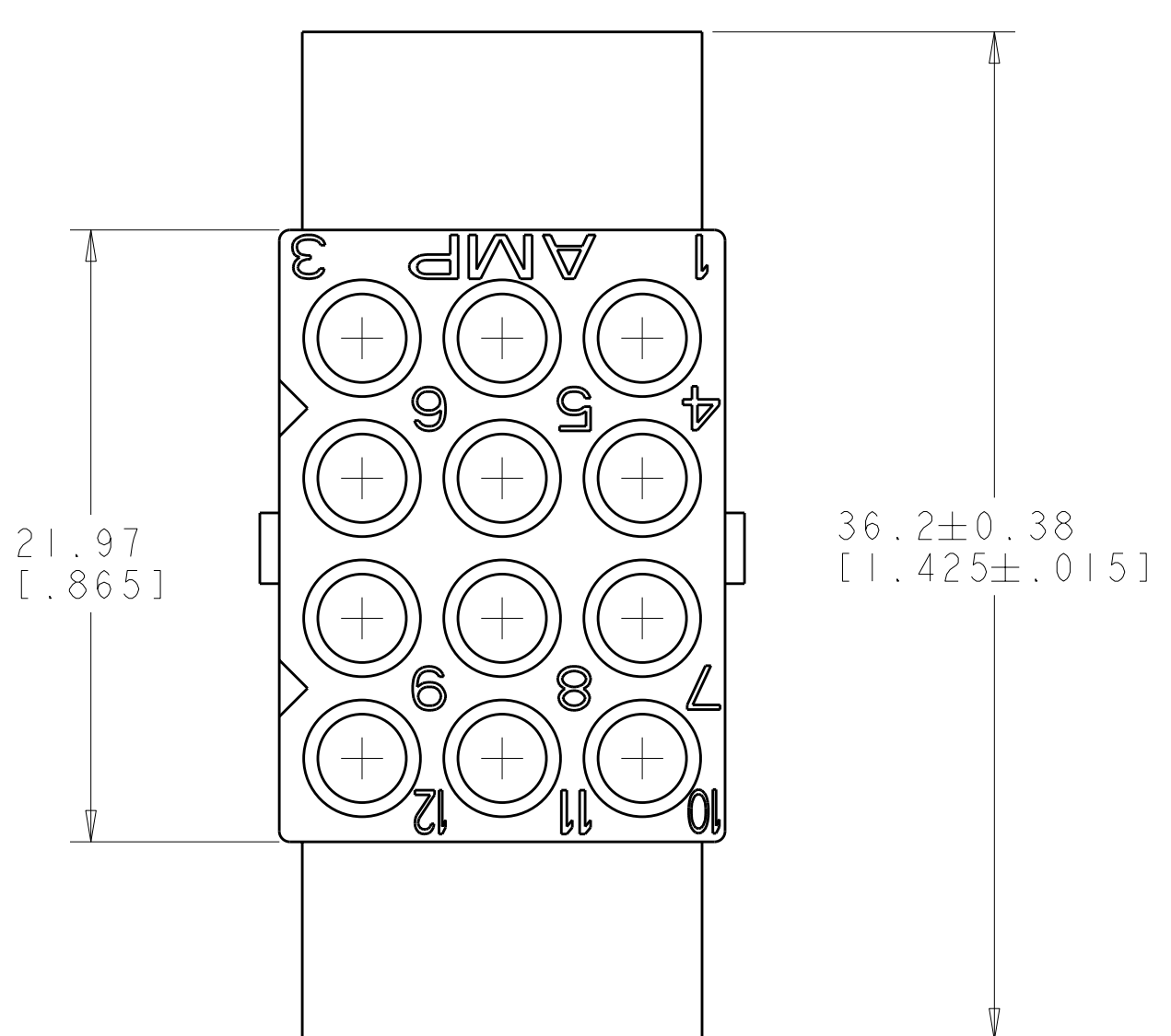
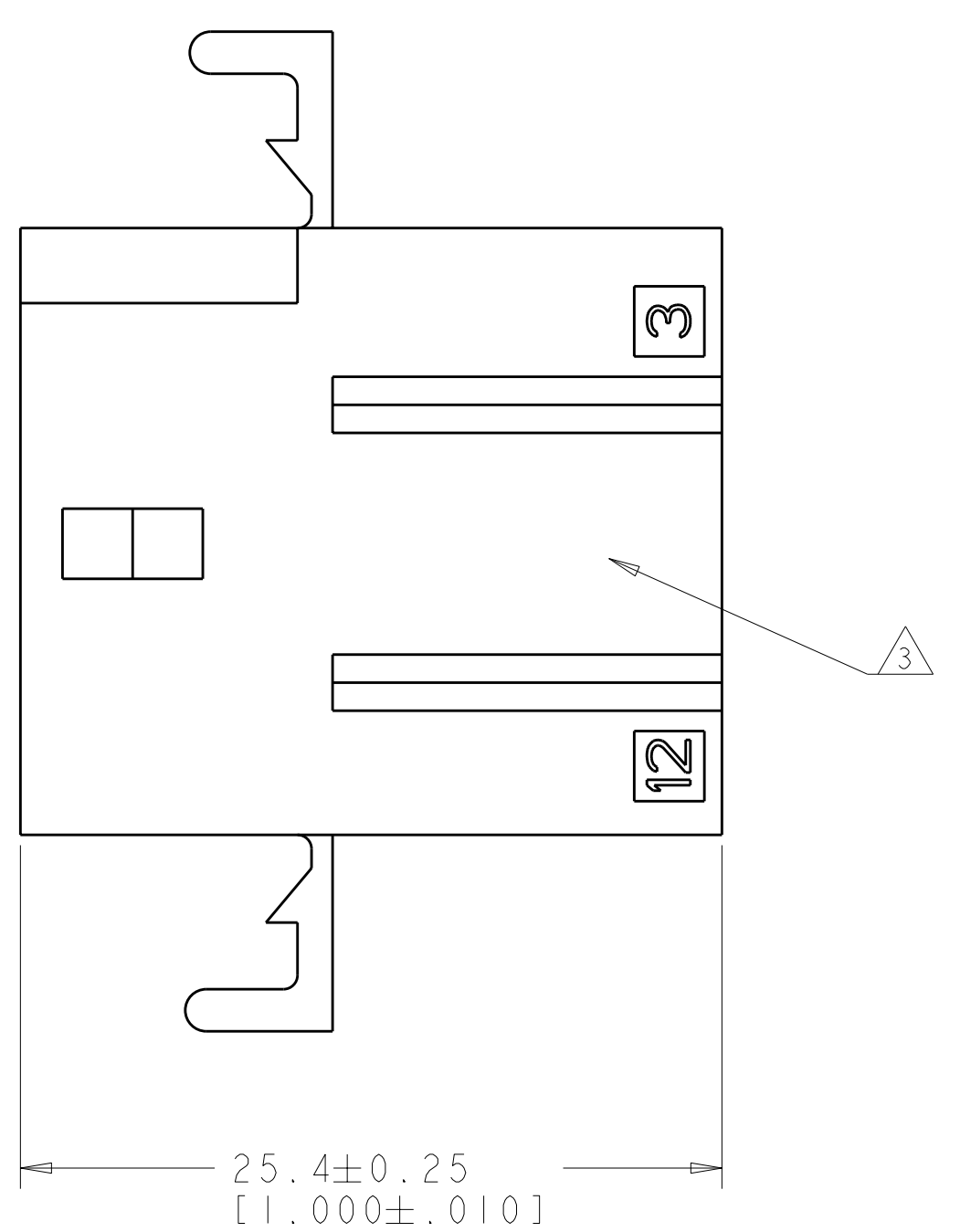
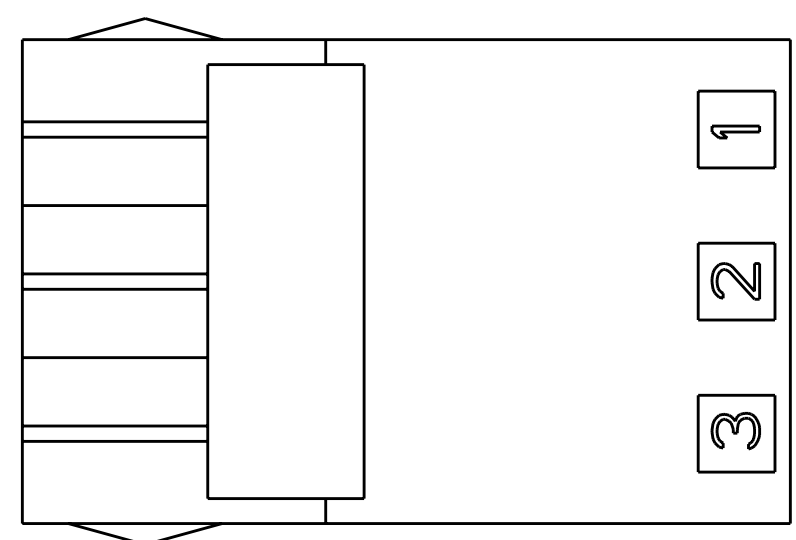
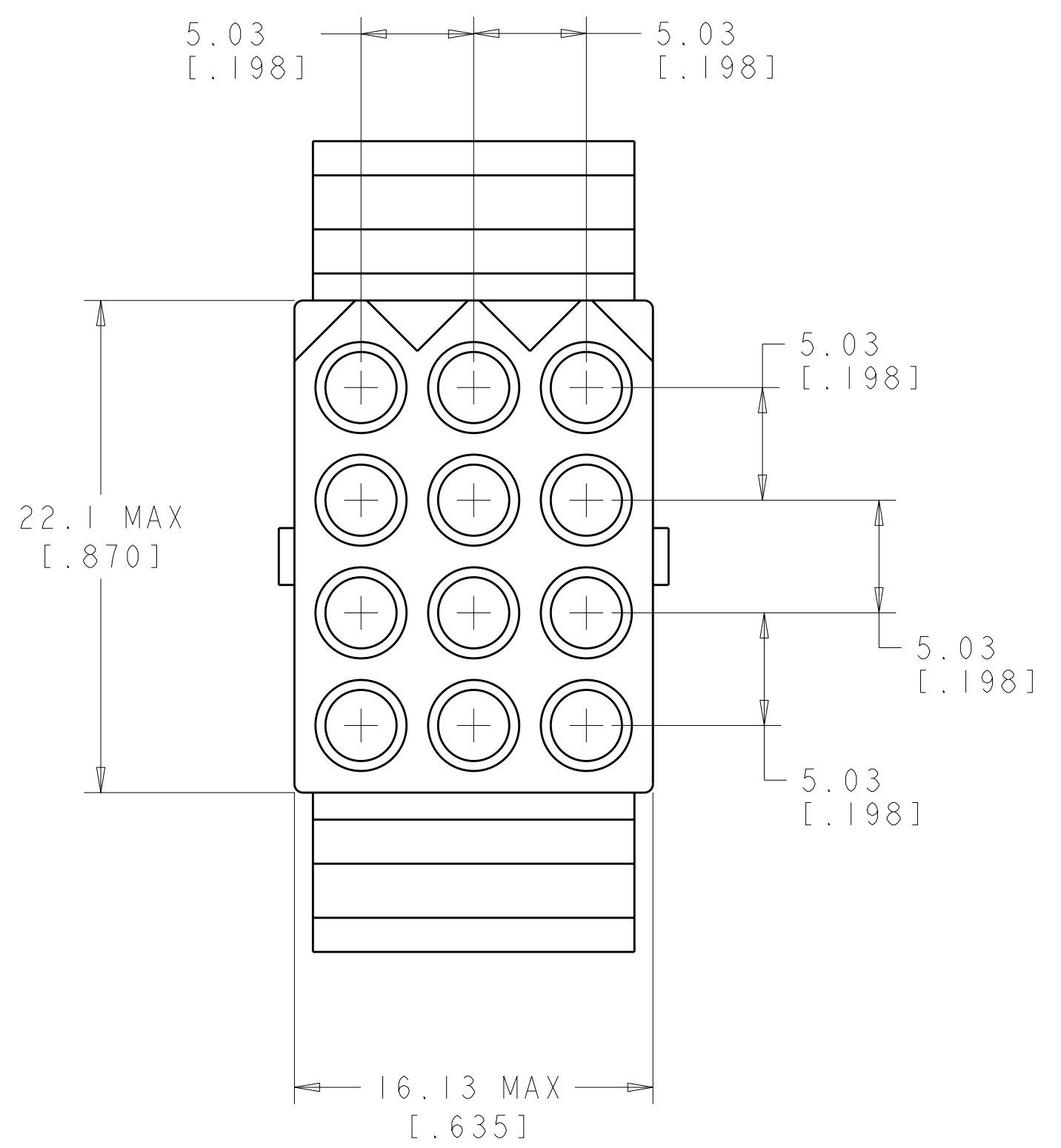


LOC	DIST	REV	DATE	DWN	APVD
CM	00	F	ECO-07-020239	30AUG2007	KW CC

- 1 MATERIAL: NYLON UL94V-2 (NATURAL).
- 2. RECOMMENDED PANEL THICKNESS 2.29 [.090] MAX.
- 3 MARKING FOR UL LOGO AND CSA LOGO LOCATED APPROXIMATELY AS SHOWN.



RECOMMENDED PANEL CUTOUT

0.321 IN ³	770099-1
VOLUME	PART NUMBER

DIMENSIONS: mm [INCHES] TOLERANCES UNLESS OTHERWISE SPECIFIED: 9 PLC ± 1 PLC ± 5 PLC ±0.13(.005) 4 PLC ± ANGLES ±		DWN R. WHITAKER 30AUG2007 CHK C. CASH 30AUG2007 APVD C. CASH 30AUG2007		Tyco Electronics Harrisburg, PA 17105-3608	
MATERIAL: NYLON UL94V-2 (NATURAL)		NAME: RECEPTACLE, 12 CIRCUIT, .093 COMMERCIAL PIN AND SOCKET		SIZE: A CAGE CODE: C-770099 DRAWING NO: 770099-1	
FINISH:		WEIGHT:		RESTRICTED TO:	
CUSTOMER DRAWING		SCALE: 4:1		SHEET 1 OF 1 REV F	

